



Accuracy

Reliability

Design and ergonomics

Intuitivity

Easy installation

 **owandy**

Owandy is an international player and is renowned for manufacturing dental imaging solutions and developing imaging and practice management software. Its software is used by around half of the dental practitio-

ners in France today and its range of digital imaging solutions is available to dentists in more than 50 countries worldwide. In addition to its range of products and services, Owandy strives to contribute to the improvement

of the orodental health and the well being of patients. A committed and innovative company, Owandy has been a preferential partner for dentists for over 20 years.



Technical specifications

Standards: Class 1 type B (EN 60601-1)

Power supply: 210/240V at 50/60 Hz

HF generator: 65 kV, 7 mA constant potential

Focal spot size: 0.8 mm (IEC 336)

Exposure time: From 0.02 to 3.00 sec (by steps of 0.01 sec)

Microprocessor-controlled timer:

- Tooth type settings
- Patient anatomy settings.

6 pre-programmed exposure time tables:

- D, E and F film types
- Digital systems : CCD and CMOS sensors, Phosphor Storage Plates
- 1 configurable exposure time table

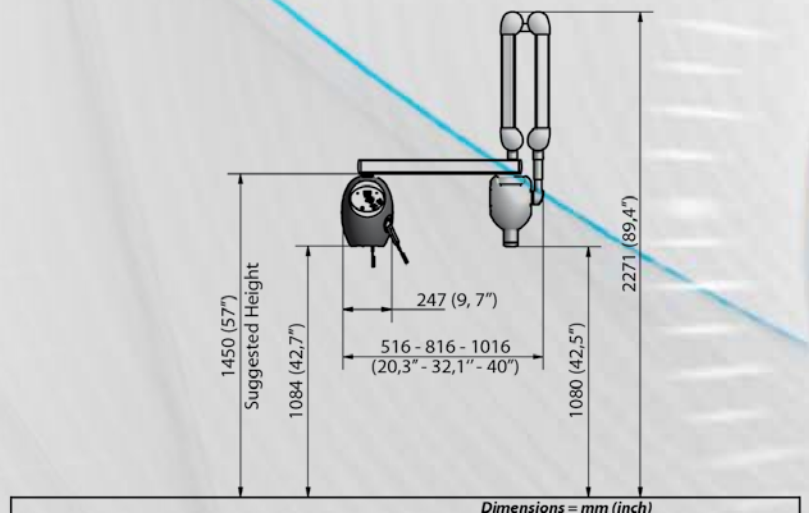
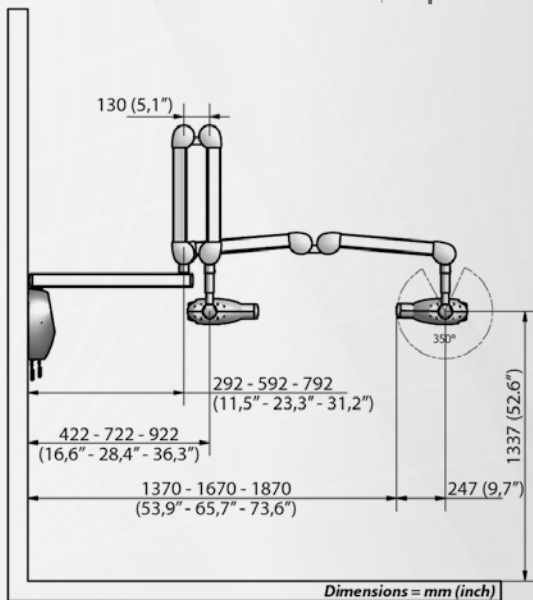
Distance focal spot to skin: 20 cm

Circular collimator: 55 mm diameter

Rectangular collimator: 45 x 35 mm

Extension arm: 30, 60, and 80 cm

Options: Remote timer (cable up to 15 m)



Dealer's stamp

Owandy

6, allée Kepler

77420 Champs-sur-Marne

France

Tél. : +33 (0)1 64 11 18 18

Fax : +33 (0)1 64 11 18 10

Email : info@owandy.com

www.owandy.com

owandy

SOFTWARE

DIGITAL SENSORS

PANORAMIC UNITS

INTRAORAL RADIOLOGY

CAMERAS



OWANDY-RX

PRECISION AND SIMPLICITY



Owandy-RX

owandy

Intraoral radiology system



Simplicity has now become a reality



Developed exclusively by Owandy, the **Owandy-RX** generator is manufactured in our Swiss plant and guarantees technological precision down to the finest detail.



Accuracy



Reliability



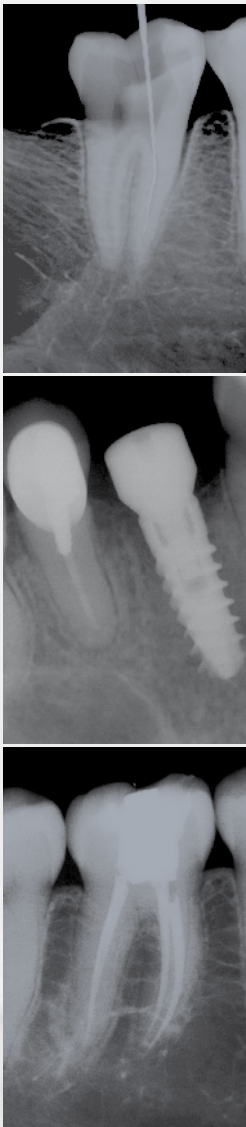
Design and ergonomics



Intuitivity



Easy installation



Accuracy

Equipped with high frequency technology, the Owandy-RX offers consistent exposure parameters and high quality X-ray emissions. The exposure times are accurate to one hundredth of a second and optimum control is guaranteed by the use of a microprocessor in the timer.

The HF technology ensures the safety of your patients and allows a significant reduction in the X-ray doses through the elimination of the harmful soft X-rays. The Owandy-RX is compatible with the different types of sensors on the market (Film, digital sensors, Phosphor Storage Plates).



Reliability

The mark of quality and robustness, the Owandy-RX is manufactured in our own plant in Switzerland, a country recognised for its impeccable know-how in precision and micromechanical manufacture. Specifically designed to withstand all types of stress, the Owandy-RX arm is well-balanced, easy to use, flexible and robust. It is also mounted on a solid structure to ensure stability: no unwanted movement or vibrations... A truly comfortable operating experience for the practitioner and patient alike. Furthermore, no matter what the power fluctuations may be, the Owandy-RX comes with automatic exposure time compensation built in.



Design and ergonomics

Its design and ergonomics combine to make the Owandy-RX user-friendly and also very easy to handle. Modern and compact, the Owandy-RX will be a stylish and harmonious addition to your office. The handle at the back of the generator enables effortless positioning of the generator head.

**Meeting your highest expectations...
The Owandy-RX, the system that combines
precision, proven technology, simplicity and
compatibility...**



Owandy-RX
Intraoral radiology
system



Intuitive and user-friendly

The user interface is simple and intuitive.

As a result, the Owandy-RX is a user-friendly tool for the entire care team. The timer can be operated immediately without the need for training. The controls are simplified: all the parameters are set using 3 very intuitive buttons. The first defines the desired tooth, the second calibrates the X-ray dose in accordance with the build of the patient and the third allows you to select the type of receiver used (film or digital).

The Owandy-RX generator comes with a remote control trigger or a complete remote timer which allows the practitioner to carry out their examination in complete safety.



Easy installation

With the Owandy-RX, the installation of the X-ray unit has been rethought and has now been made much easier. Irrespective of the layout of your office, the Owandy-RX is simple to install. The three lengths of the extension arm (short, standard and long) offer maximum adaptability to your work area. From a technical point of view, the wall-mount is compatible with the bore holes of the most common models on the market (universal plate). It includes a compensation system of the verticality of the wall and can be adjusted vertically and horizontally.

